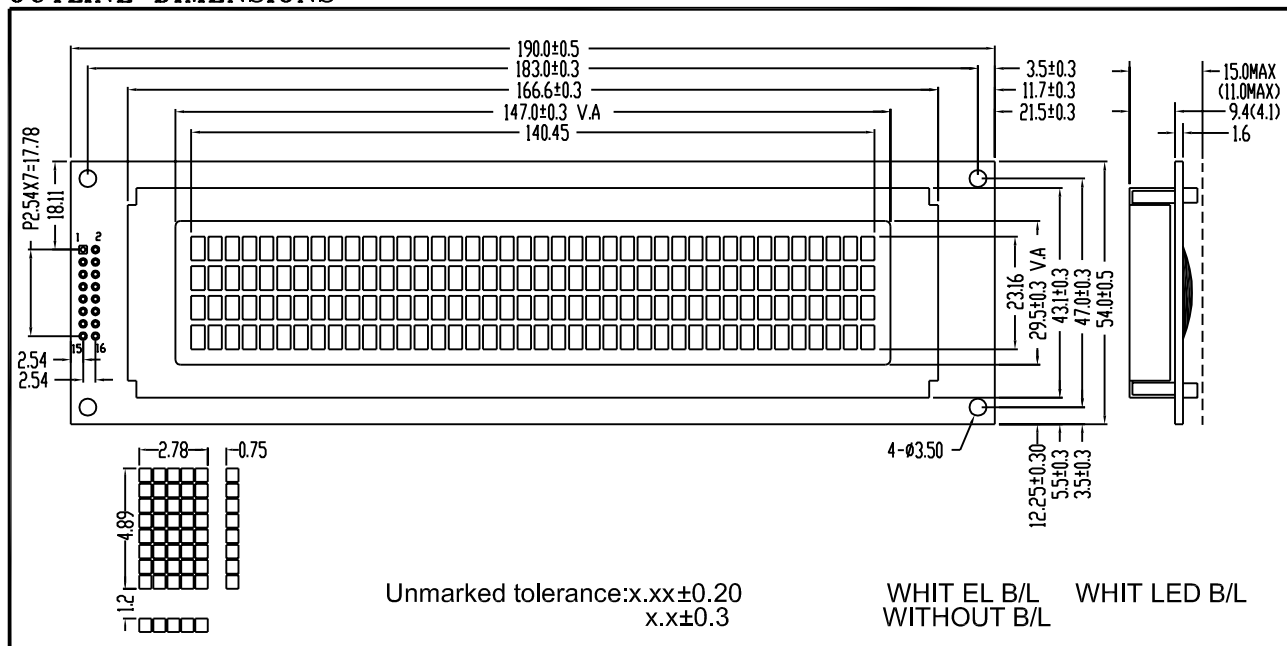


LCD-DISPLAY

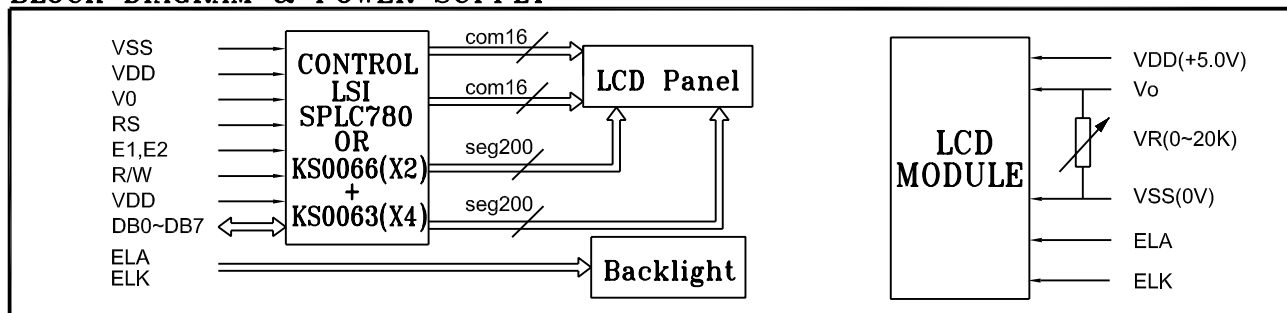
YM-4004A Series

40X4 CHARACTERS
1/16 DUTY, 1/5 BIAS

OUTLINE DIMENSIONS



BLOCK DIAGRAM & POWER SUPPLY



MECHANICAL SPECIFICATION & FEATURE

Item	Normal Dimensions(mm)	FEATURE	
Module Size(W*H*T)	190.0X54.0X4.1/9.6	LCD Type	STN , TN , HTN , FSTN
View Area(W*H)	147.0X29.5	LCD Colour	STN:Yellow-Green , Grey Other:Gray
Character Pitch(W*H)	3.53X6.09	View Angle	6 O'Clock , 12 O'Clock
Character size(W*H)	2.78X4.89	Display Type	Positive Type , Negative Type
Character Font	5X8	Real polarizer	Transmissive , Reflective , Transflective
Dot Pitch(W*H)	0.64X0.69	Operating Temperature	-10°C~60°C , -20°C~70°C
Dot Size(W*H)	0.57x0.62	Backlight	LED:Yellow EL:Green,Blue-Green,blue Without

ELECTRICAL CHARACTERISTICS

Item	Symbol	Symbol	Min.	Typ.	Max.	Unit
Operating Voltage	Vdd	Ta=25°C	---	5.0	---	V
Operating Voltage LCD	Vlcd	Ta=25°C	---	4.7	---	V
Supply Current	Idd	Ta=25°C , Vdd=5.0V	---	2.0	3.0	mA
Supply Current for Backlight	If	Ta=25°C , Vf=4.2V	---	---	---	mA

INTERFACE PIN CONNECTIONS

Pin No.	Symbol	Level	Description
1~8	DB7~DB0	H/L	Data Bus lines
9	E	H/L	Enable signal for LCM for Chip1
10	R/W	H/L	Read/Write selection (H:Read , L:Write)
11	RS	H/L	Register selection (H:DATA register , L:Instruction register)
12	V0	H/L	Power supply for LCD drive
13	VSS	---	Ground for Logic
14	VDD	---	Power supply for Logic(+5.0V)
15	E2	H/L	Enable signal for LCM for Chip2
16	VEE	---	Negative voltage supply
17	A	---	Backlight(+5.0V)
18	K	---	Backlight(0V)

REMARK

Operating voltage option : 5.0V or 3.0V
CGROM font option : English Japanese Russian etc